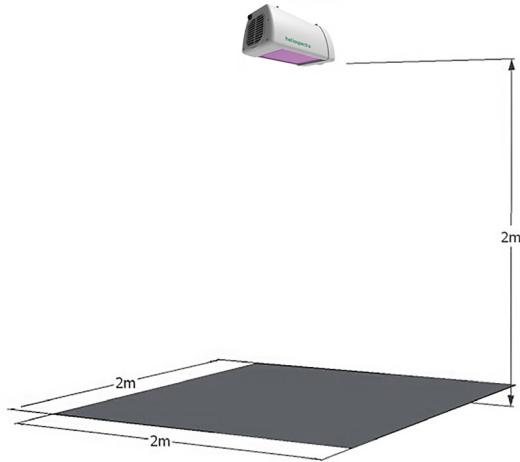




heliospectra
intelligent light for efficient growth

Product Leaflet

Heliospectra LX602

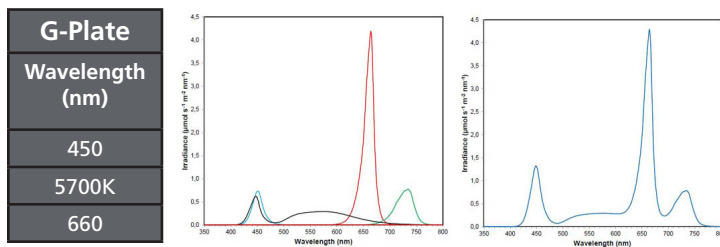


Heliospectra LX602 is the most advanced LED grow light for horticulture crop production. Growers who are serious about quality use the LX602 as an essential tool in their grow operations. The LX602 optical distribution is ideal for greenhouses when the light needs to be mounted at a distance from the plant, while still maintaining a wide, uniform light distribution.

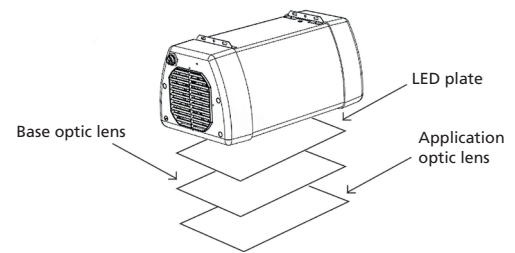
Recommended Applications

- Controlled environments agriculture
- Commercial horticulture
- Research greenhouses
- Hobby/indoor gardening

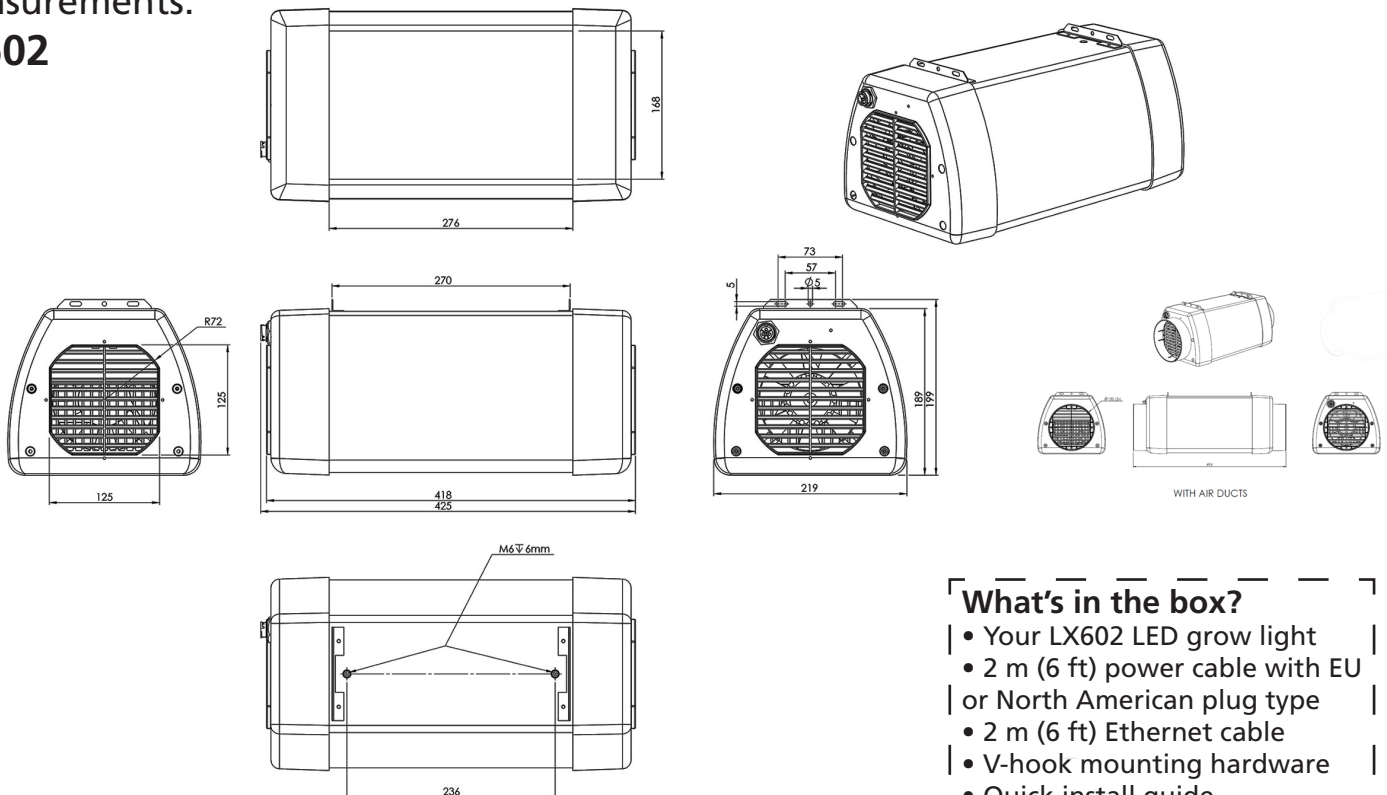
Spectral & Full Spectrum Output Options



Optics: G-Plate



Measurements: LX602



- What's in the box?**
- Your LX602 LED grow light
 - 2 m (6 ft) power cable with EU or North American plug type
 - 2 m (6 ft) Ethernet cable
 - V-hook mounting hardware
 - Quick install guide



Technical Specifications

	LX602
Number of LEDs	240
Typical Power Consumption	10.5 to 630 W
Voltage	85-264 VAC, 50/60 Hz
Photon flux (µmol/s)	862 to 1011 µmol/s (full spectrum in stable operation and 25 °C ambient temperature. Photon flux value varies based on spectral distribution)
Microprocessor	32-bit microprocessor (80MHz)
Networking	RJ 45, 10/100 MBit IPv4 Ethernet and Wifi 802.11 b/g
DHCP	DHCP for IP address management
Web UI	HTTP web interface for simple management
Network Monitoring	Wifi and/or Ethernet
Status Indicators	Status LED for power/system status indication
Cooling	Active, variable speed cooling. Fan rated to 70,000 hrs at 40 °C, 60% humidity, 90% CL
Dimensions	425 × 219 × 199 mm (16.7" × 8.6" × 7.8")
Weight	8 kg (17.6 lbs)
Operating Temp	0 to 40 °C (32 to 104 °F)
Dimming	0-100%, individually per LED channel
Optics	Primary and secondary optics for two PAR distribution pattern variants, using highly light transmissive polycarbonate optics.
Ingression protection rating	IP54 (all electrical compartments) / IP24 (cooling tunnel)
Housing	Powder coated, zink treated sheet metal and durable ABS plastic
Certifications	CE, RoHS, REACH, EN55015, MET (Pending for US and Canada)
Storage temp	-20 to 70 °C (-4 to 158 °F)
Lifetime	50 000 hours (at ambient temperature of 25 °C rated life to 70% of initial photon flux)
Warranty	2 years
Customized spectra ordering	Yes. Please inquire grow.light.order@gmail.com

Heliospectra Mounting Options

Carabiners



C-brackets



V-hooks (included)



Couplings

